

CARSON - LOUNGE

ASSEMBLY INSTRUCTIONS

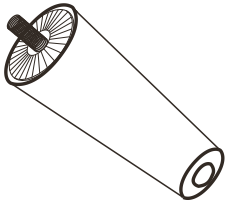
Do not throw away packing materials and carton until after assembly.

CARE INSTRUCTIONS:

- Assemble all parts on a clean smooth surface
- Adjust levelers so that the furniture sits flat on uneven floors.
- You may need to re-tighten all bolts after initial use.
- Avoid direct exposure to sunlight.
- Do not place over heat or Air conditioning vents

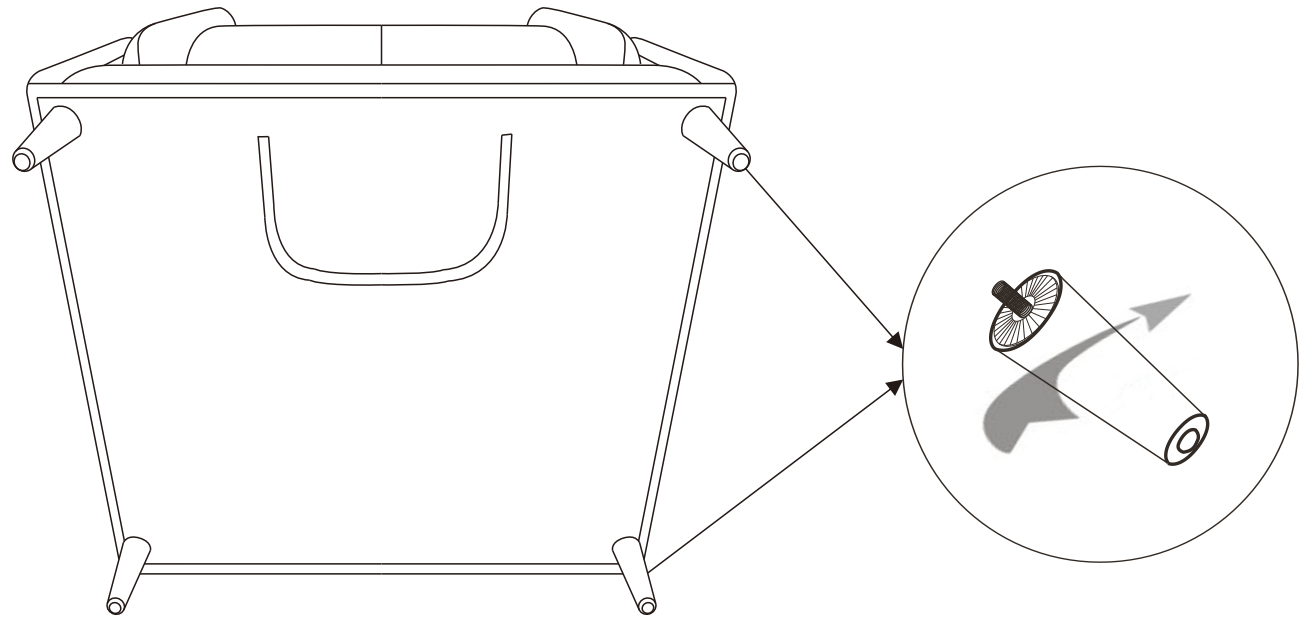
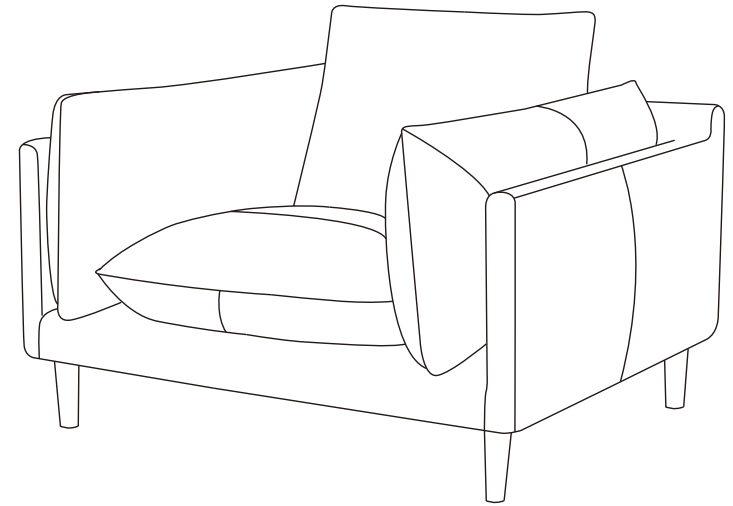
PARTS INCLUDED:

4x Legs



INSTRUCTION STEPS:

1. With help flip the Sofa over onto a clean smooth surface such as carpet or cardboard.
2. Open the storage flap in the bottom and remove the leg packaging.
3. Screw on each leg clockwise as shown in the diagram
4. With help flip the chair upright



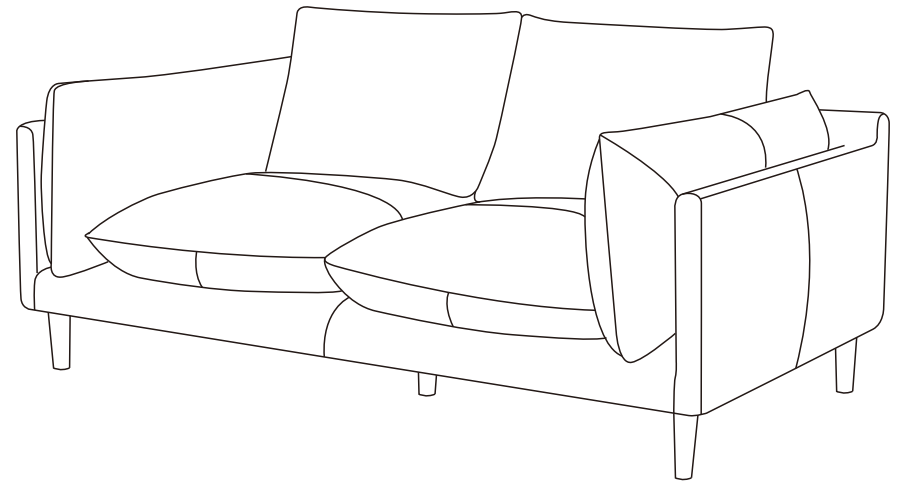
CARSON - LOUNGE

ASSEMBLY INSTRUCTIONS

Do not throw away packing materials and carton until after assembly.

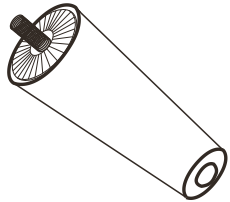
CARE INSTRUCTIONS:

- Assemble all parts on a clean smooth surface
- Adjust levelers so that the furniture sits flat on uneven floors.
- You may need to re-tighten all bolts after initial use.
- Avoid direct exposure to sunlight.
- Do not place over heat or Air conditioning vents.



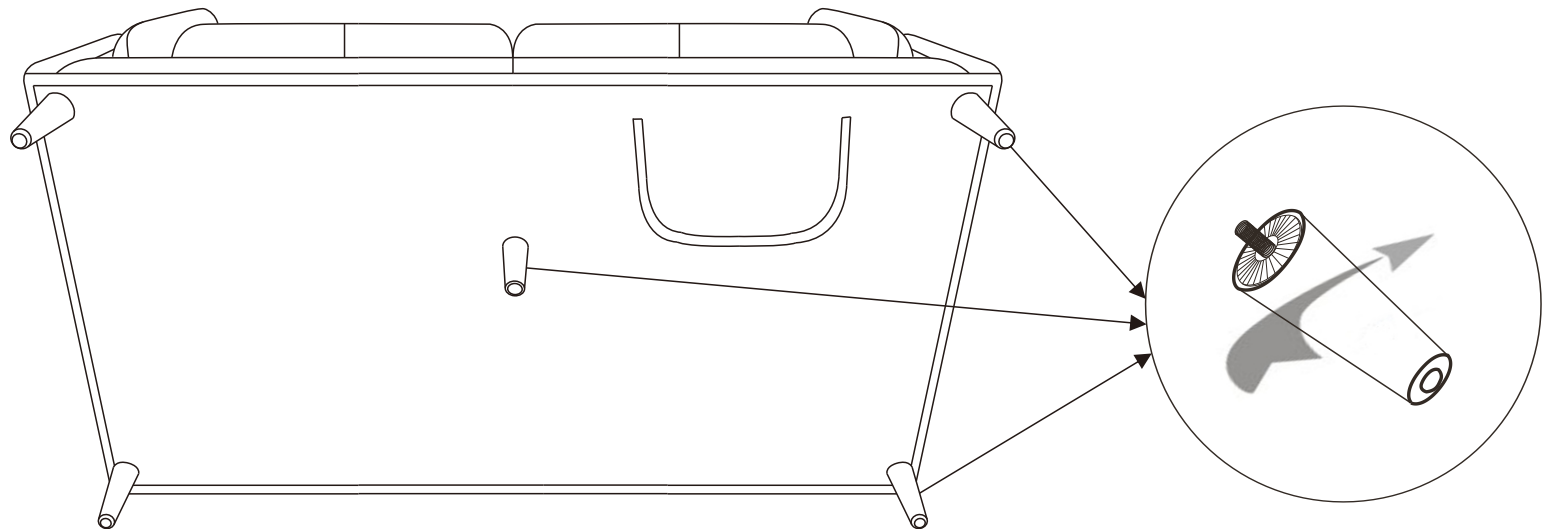
PARTS INCLUDED:

5x Legs



INSTRUCTION STEPS:

1. With help flip the Sofa over onto a clean smooth surface such as carpet or cardboard.
2. Open the storage flap in the bottom and remove the leg packaging.
3. Screw on each leg clockwise as shown in the diagram
4. With help flip the sofa upright



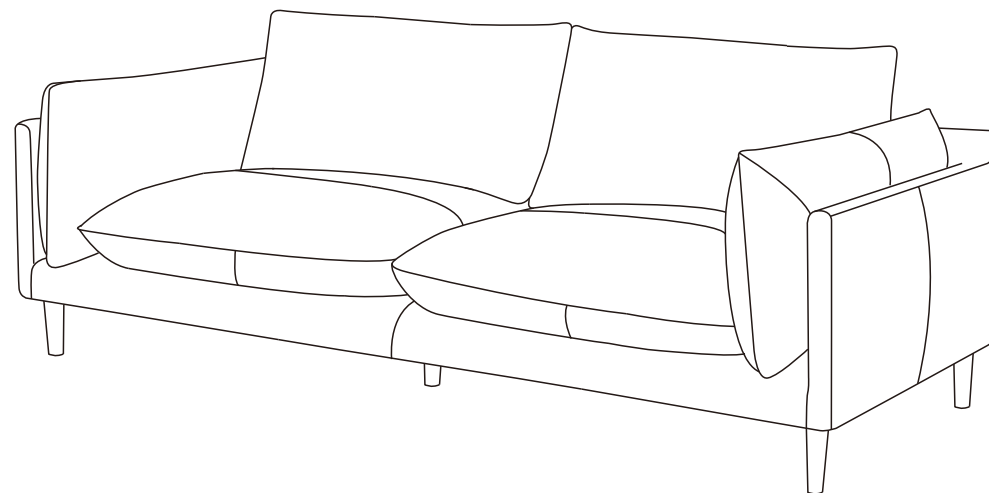
CARSON - LOUNGE

ASSEMBLY INSTRUCTIONS

Do not throw away packing materials and carton until after assembly.

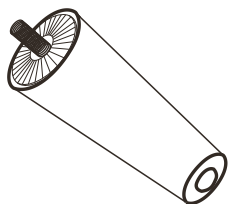
CARE INSTRUCTIONS:

- Assemble all parts on a clean smooth surface
- Adjust levelers so that the furniture sits flat on uneven floors.
- You may need to re-tighten all bolts after initial use.
- Avoid direct exposure to sunlight.
- Do not place over heat or Air conditioning vents.



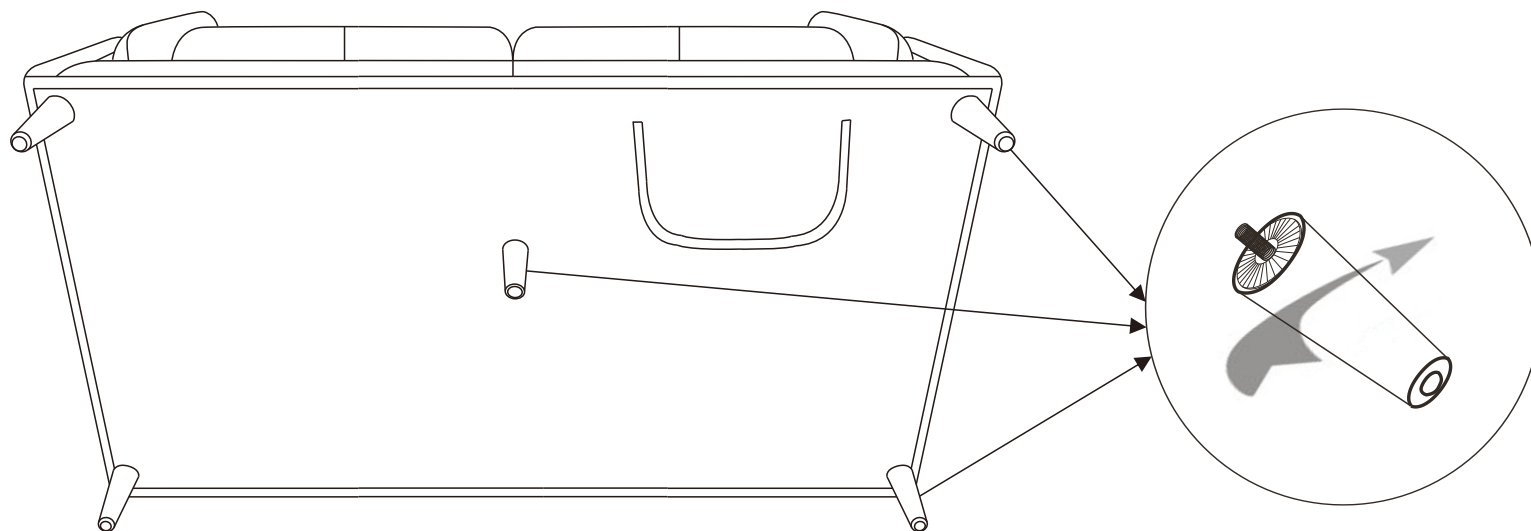
PARTS INCLUDED:

5x Legs



INSTRUCTION STEPS:

1. With help flip the Sofa over onto a clean smooth surface such as carpet or cardboard.
2. Open the storage flap in the bottom and remove the leg packaging.
3. Screw on each leg clockwise as shown in the diagram
4. With help flip the sofa upright



CARSON - LOUNGE

ASSEMBLY INSTRUCTIONS

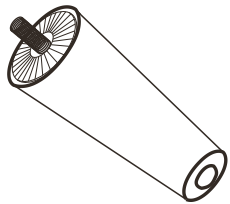
Do not throw away packing materials and carton until after assembly.

CARE INSTRUCTIONS:

- Assemble all parts on a clean smooth surface
- Adjust levelers so that the furniture sits flat on uneven floors.
- You may need to re-tighten all bolts after initial use.
- Avoid direct exposure to sunlight.
- Do not place over heat or Air conditioning vents.

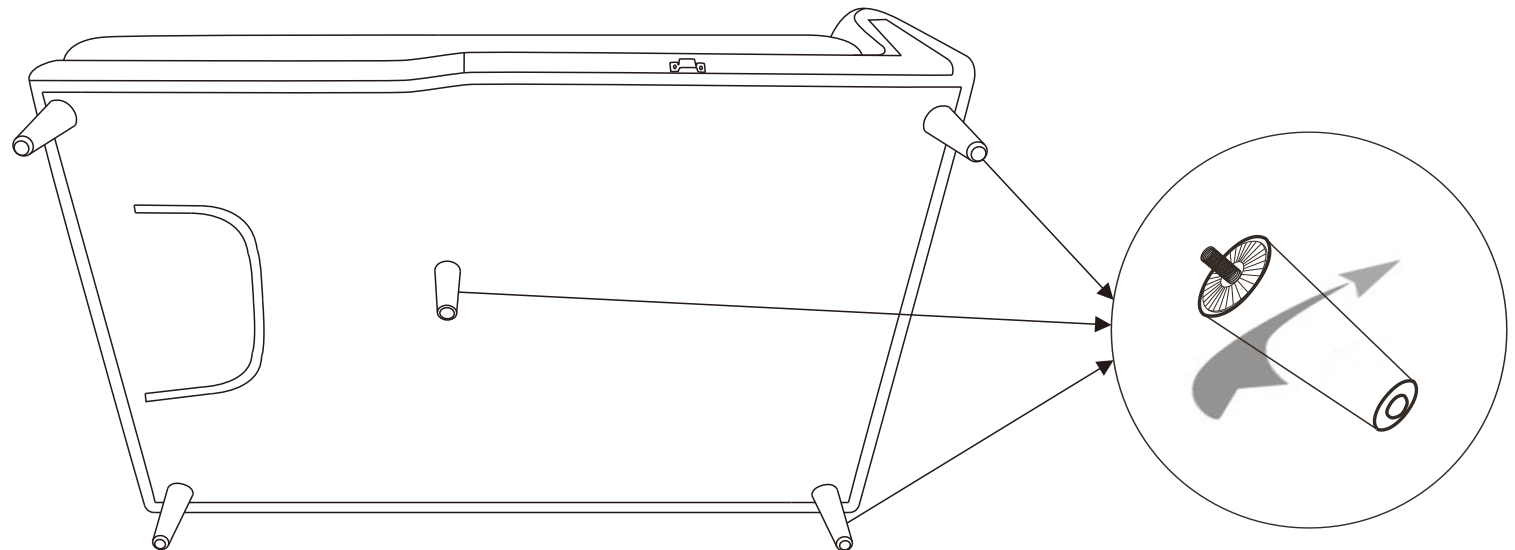
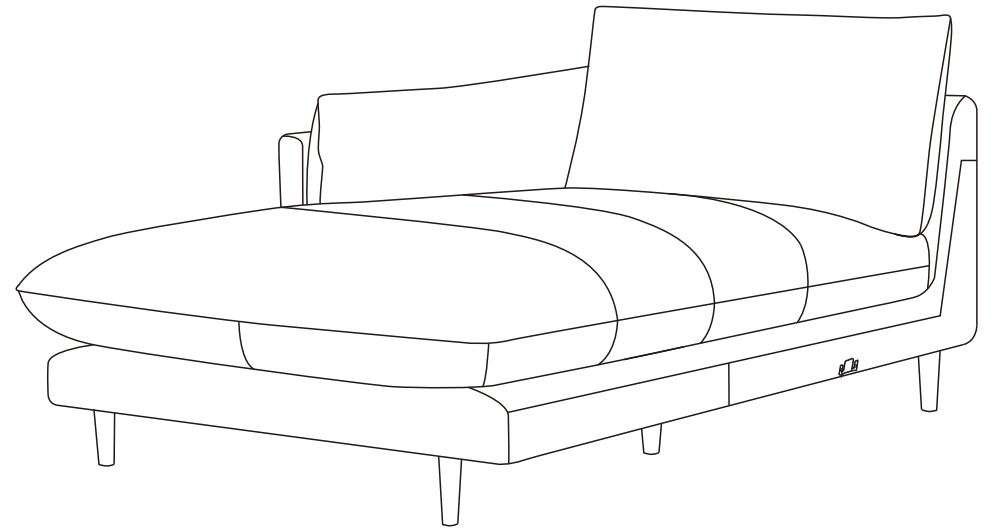
PARTS INCLUDED:

5x Legs



INSTRUCTION STEPS:

1. With help flip the Sofa over onto a clean smooth surface such as carpet or cardboard.
2. Open the storage flap in the bottom and remove the leg packaging.
3. Screw on each leg clockwise as shown in the diagram
4. With help flip the sofa upright



CARSON - LOUNGE ASSEMBLY INSTRUCTIONS

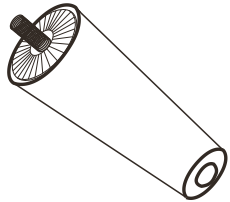
Do not throw away packing materials and carton until after assembly.

CARE INSTRUCTIONS:

- Assemble all parts on a clean smooth surface
- Adjust levelers so that the furniture sits flat on uneven floors.
- You may need to re-tighten all bolts after initial use.
- Avoid direct exposure to sunlight.
- Do not place over heat or Air conditioning vents.

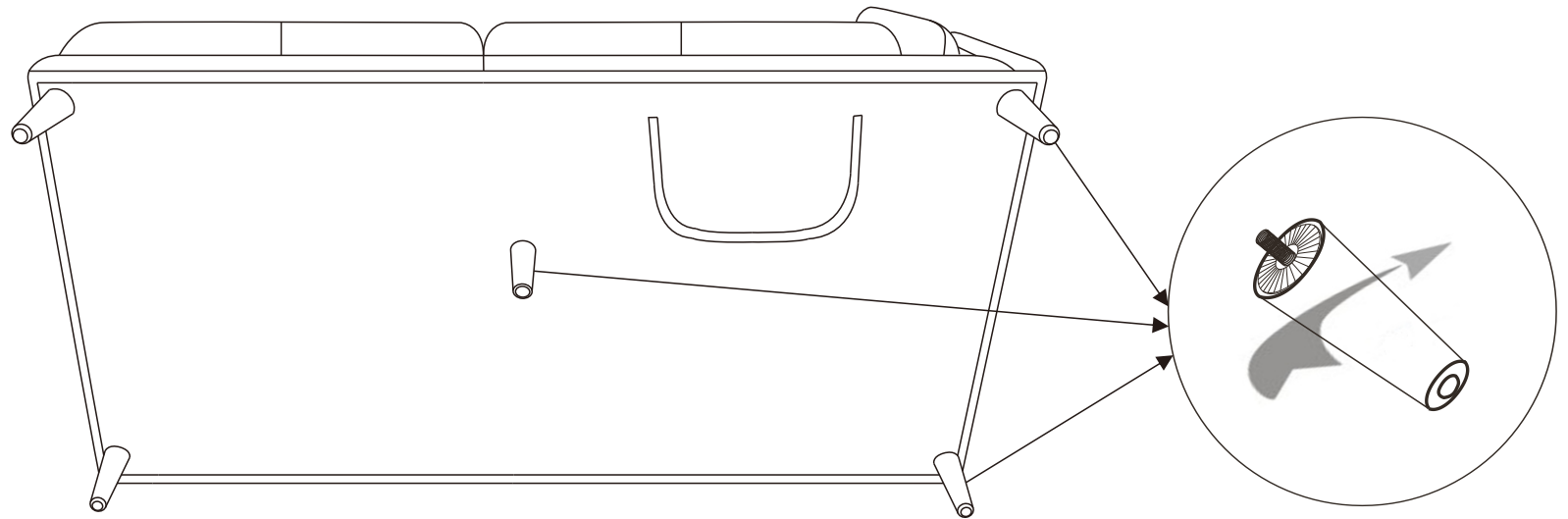
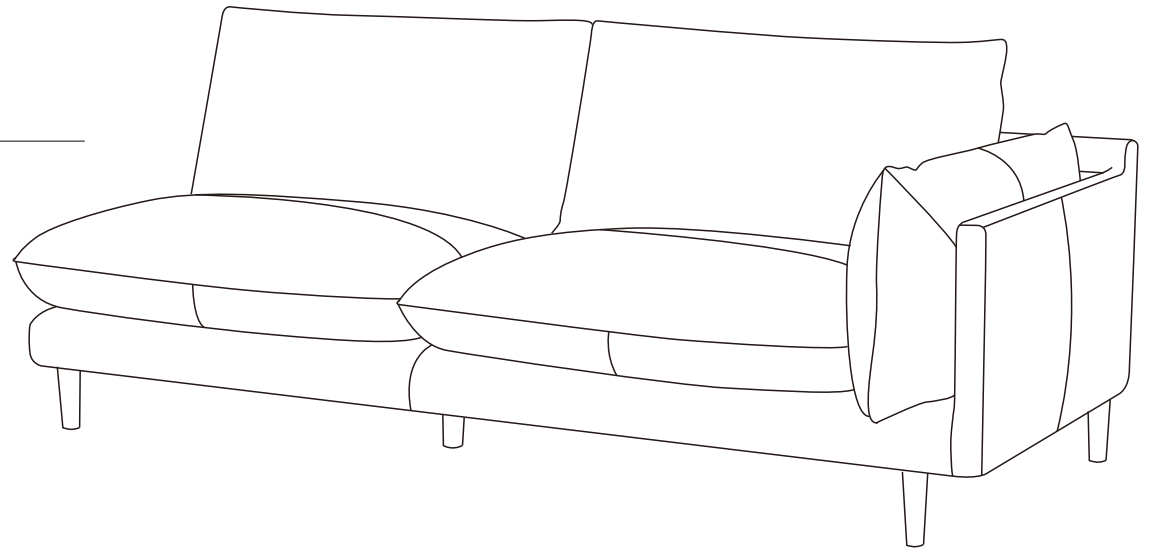
PARTS INCLUDED:

5x Legs



INSTRUCTION STEPS:

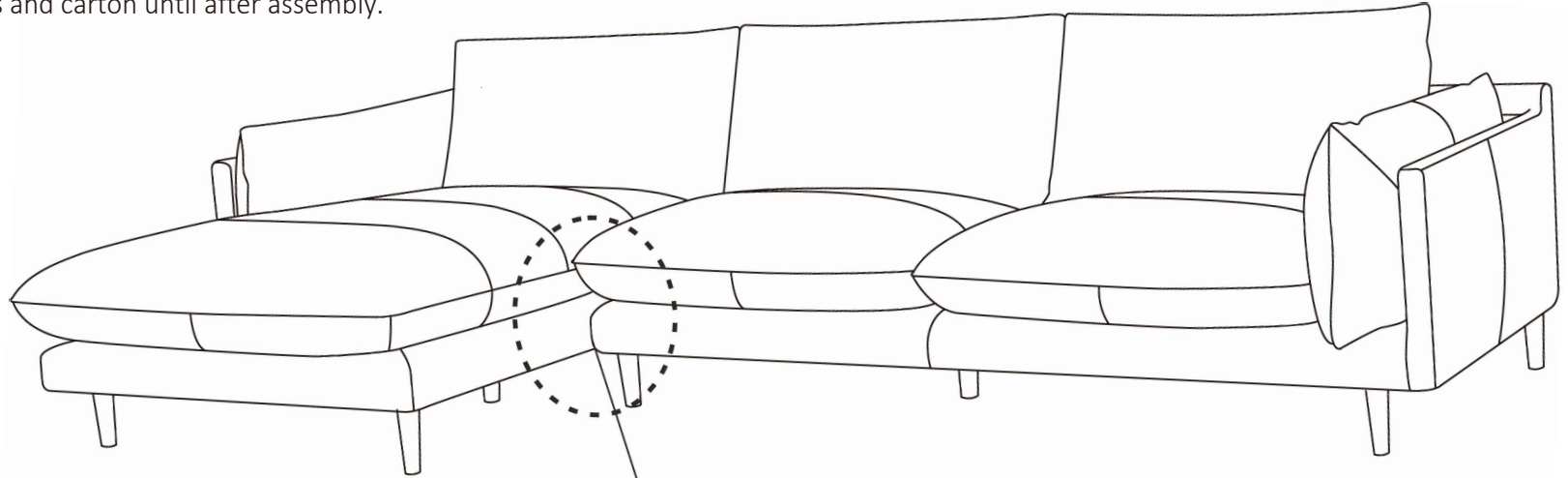
1. With help flip the Sofa over onto a clean smooth surface such as carpet or cardboard.
2. Open the storage flap in the bottom and remove the leg packaging.
3. Screw on each leg clockwise as shown in the diagram
4. With help flip the sofa upright



CARSON - LOUNGE

ASSEMBLY INSTRUCTIONS

Do not throw away packing materials and carton until after assembly.



INSTRUCTION STEPS:

1. In an upright position with the sofa feet already assembled, connect the two armless pieces together.
2. Bring the metal clips together and fasten securely as shown in the diagram

